

1 2 3 4 5 6 7 8 9 10

A A

B B

C C

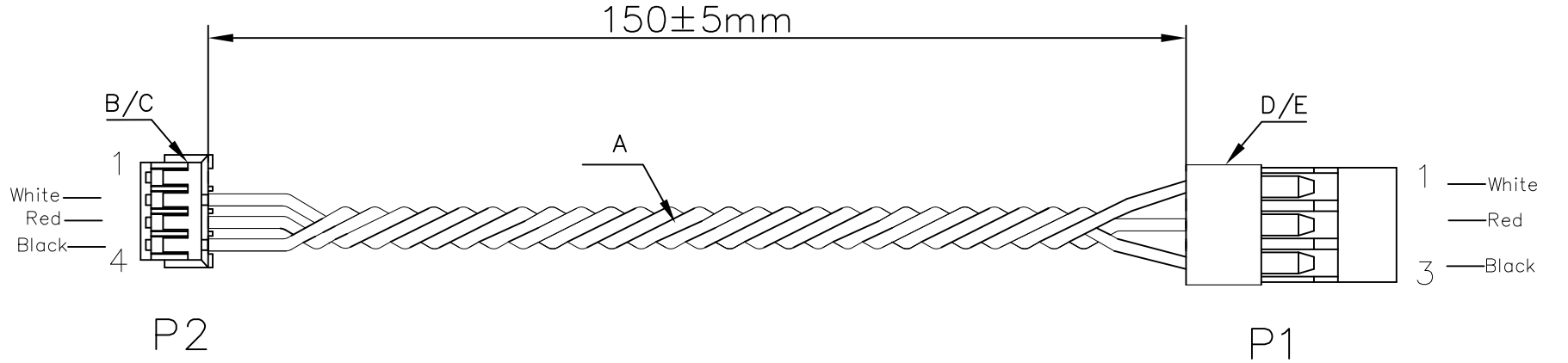
D D

E E

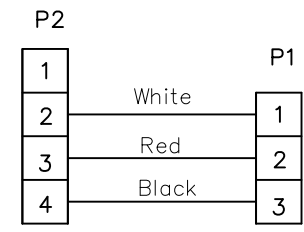
F F

G G


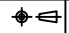
H H



5	E	TERMIANL: SCT2543-TBHG (Half gold plated)	PCS	4
4	D	HOUSING: SCT2546HA-03P	PCS	1
3	C	TERMIANL: SCT1501T(Tin Plated)	PCS	4
2	B	HOUSING: SCT1501H-04P	PCS	1
1	A	Wire: UL1007 26AWG WT/RD/BK L=150mm+Twist+assembly	PCS	Each 1
ITEM	NO.	SPECIFICATION	UNIT	QT*Y



Connect Point

					OPERATION	DRAW	YANG	2015.09.09	SCALE		 森康达电子有限公司 SCONDAR ELECTRONIC LIMITED	
					~ 10 ±0.15	DESIGN			UNIT	mm		
					20 ~ 30 ±0.30	CHECK	Micky.Liu	2015.09.09	SIZE	A4		
0	05/12/27	NEW			30 ~ ±0.50	APPROVE	Hellen.Li	2015.09.09	SHEET	1/1		
REV	DATE	MODIFICATION DESCRIPTION	CHANGE	APPROVE	Angle DIM TOL ± 2'	APPROVE			PROJ.		TITLE:	SCT1501H-4P*1PCS SCT2546HA-3P*1pcs UL1007 26AWG WT/RD/BK L=150mm +Twist +assembly
											DRAWING NO.	SCT1501H04+2546HA03P-H2L150+TS

1 2 3 4 5 6 7 8 9 10